

HanaLock is an ISO 17712:2010 & C-TPAT compliant high security bolt seal. The barrel is made of high quality ABS material to withstand impact and reveal evidence of tampering. It also features a 18mm  $\varnothing$  insert and pin head to keep the seal engaged on the container latch even when the ABS plastic cover is intentionally or accidentally removed.

## APPLICATION

- Trucks
- Shipping containers
- Cargo containers
- Trailer vehicle door
- Rail freight

## FEATURES

- ISO 17712 compliant high security seal
- $\varnothing$ 18mm bare pin head and locking insert
- 130° limited rotation when engaged (CJ only)
- Polycarbonate barrel cover (optional)

## BENEFITS

- Can be used to secure import/export goods worldwide
- Seal will continue to function and secure the latch even when plastic cover is broken
- To prevent tampering by spinning the barrel at high speed (CJ only)
- To protect printed logo, numbers or barcode

## SPECIFICATION

### Sizes

- HanaLock UP - Uncoated pin  $\varnothing$ 8mm x 76mmL (HN07UA)
- HanaLock CJ - Coated pin  $\varnothing$ 8mm x 78mmL (HN07CB)

### Strength

Pull strength = All >1000 kg-f / 2205 lb-f

Shear strength = All >341 kg-f / 752 lb-f

Bending = >50 Nm

Impact strength = All >40.68 J

### Material

Barrel - ABS material

Pin and Insert - High Strength Steel

### Print

Laser print for name/logo, serial numbers & barcode

### Colour

6 standard pastel colours:

- Red, Yellow, Blue, Green, White, Orange
- Non-standard colours available upon request, subject to minimum order quantity

### Temperature

-40°C to 120°C / -40°F to 248°F

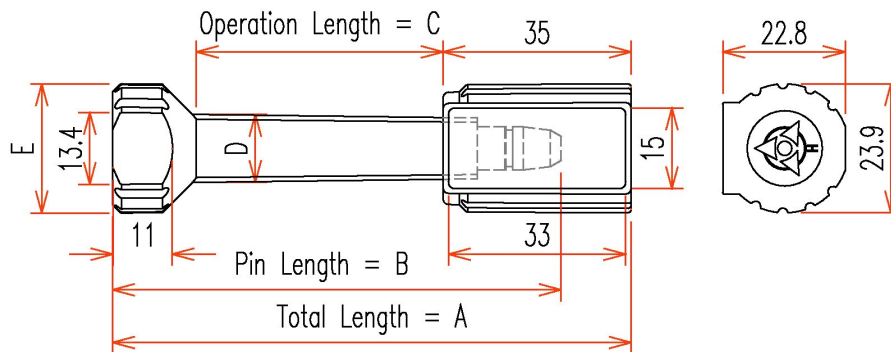
### Packaging

1 set/ candy bag,

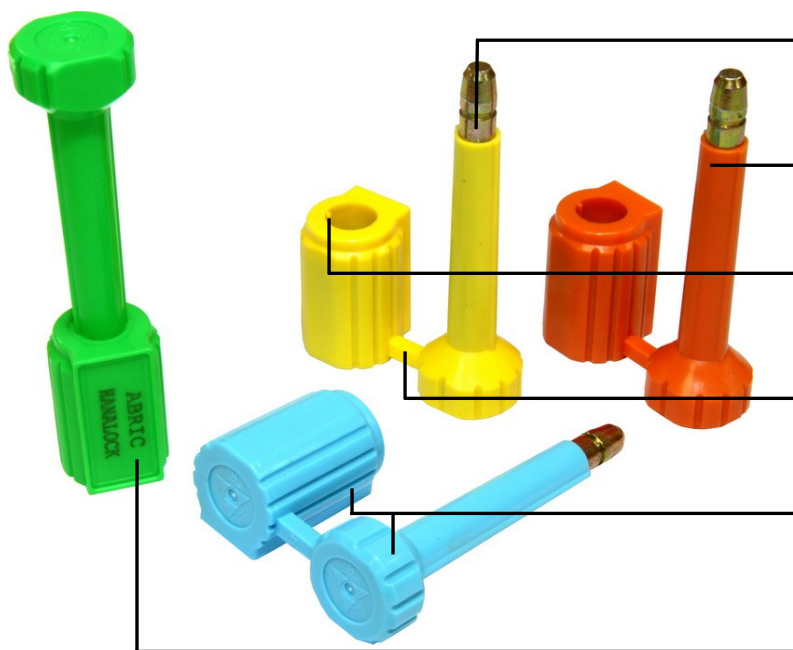
250 sets/ carton for UP; 200 sets/ carton for CJ



## DIMENSION



Type	A mm [inch]	B mm [inch]	C mm [inch]	D mm [inch]	E mm [inch]
HanaLock UP	94 [3.70"]	76 [2.99"]	54 [2.13"]	8 [0.32"]	18 [0.71"]
HanaLock CJ	96.5 [3.80"]	78 [3.07"]	45.9 [1.81"]	12.6 [0.50"]	24 [0.95"]



### Ø8mm Bare Pin Diameter

*Complying to ISO17712 testing requirements*

### Coated Pin (CJ only)

*Strong ABS material protects the bare pin to reveal evidence of tampering attempts*

### 130° Limited Rotation (CJ only)

*Prevents tampering by spinning the barrel at high speed when engaged*

### Attached Pin Design (CJ only)

*Convenience design for easy handling*

### Ø18mm Bare Pin Head & Insert

*Seal will continue to function and secure the latch even when plastic cover is broken*

### Polycarbonate Barrel Cover (optional)

*Encapsulate and protects printed logo, numbers or barcode with heavy duty plastic*

ABRIC, your Global Supplier of Security Seals.  
For FREE sample and further information, please call:

**ABRIC Worldwide Sdn Bhd**  
J-8-8, 2 Jalan Solaris,  
Solaris Mont' Kiara,  
50480 Kuala Lumpur,  
Malaysia.

Tel: + 603 6207 3333  
Fax: + 603 6207 3232  
Email: awsb@abric.com

**ABRIC North America, Inc**  
220 Barren Springs Drive #11,  
Houston, TX 77090,  
United State of America.

Tel: + 1 281 569 7100  
Tollfree 1-888-9ABRIC9  
Fax: + 1 281 569 7101  
Email: ana@abric.com

**ABRIC (Europe) Ltd**  
Unit 4, Hemlock Park,  
Hyssop Close,  
Hawks Green,  
Cannock, WS11 7FB,  
United Kingdom.

Tel: + 44 1543 500 144  
Fax: + 44 1543 500 252  
Email: ael@abric.com

**ABRIC Eastern International Ltd**  
111/5, Moo 2,  
Makamku District,  
Amphur Nikom Pattana,  
Rayong 21180,  
Thailand.

Tel: + 66 38 893 833  
Fax: + 66 38 893 727  
Email: aei@abric.com

**ABRIC Shanghai Ltd**  
8, Furong Road,  
Yexie Town,  
Songjiang District,  
201609 Shanghai,  
China.

Tel: + 86 21 6780 9077  
Fax: + 86 21 6780 9091  
Email: asl@abric.com