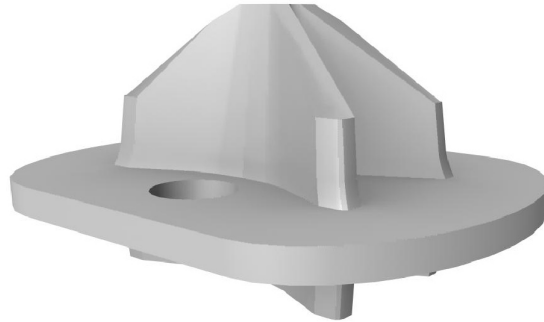




BASE STACKING CONE SINGLE



Model
CBST

Weight
2.5 kg

Breaking Load
Shear 30T

Material
Ductile Iron

Finish
Hot Dip Galvanized

Technical alterations reserved

Drawing No. L96LS9306

