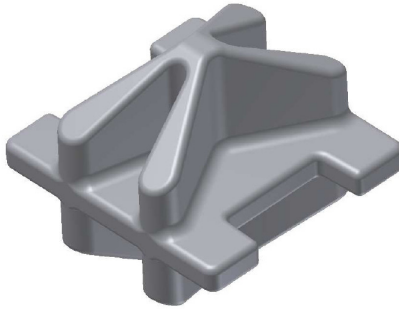




STACKING CONE SINGLE



Model
CSTA

Weight
2.1 kg

Breaking Load
Shear 420kN

Material
High Tensile Steel

Finish
Hot Dip Galvanized

Technical alterations reserved

Drawing No. CSTA

