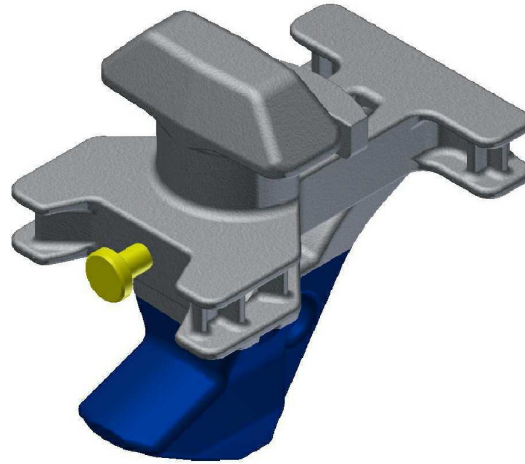




AUTOMATIC STACKER



Model
STAM/MLAU

Weight
4.9 kg

Breaking Load
500kN
Shear 420kN

Material
High Tensile Steel

Finish
Hot Dip Galvanized

Technical alterations reserved

Drawing No. MLAU

