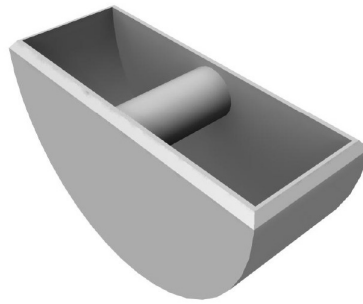




# SINGLE BAR FLUSH SOCKET



Model  
SF5B

Weight  
11.1 kg

Breaking Load  
Tensile 30T

Material  
Cast Steel

Finish  
Primer

Technical alterations reserved

Drawing No. F97SL9607

