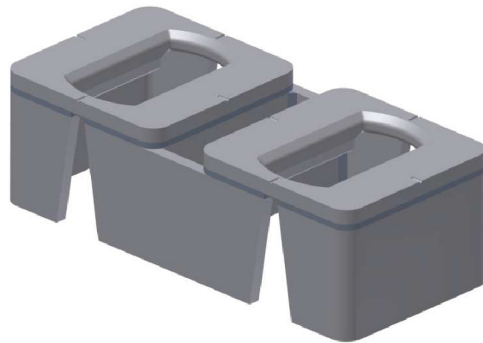




RAISED FOUNDATION DOUBLE



Model
SRFD

Weight
13.1 kg

Breaking Load
Tensile 51.1T

Material
Mild Steel

Finish
Primer

Technical alterations reserved

Drawing No. SRFD

