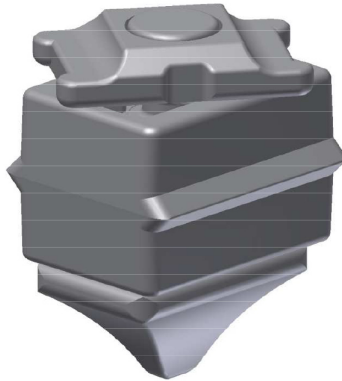




SAFETY STACKER



Model
STSA

Weight
2.7 kg

Breaking Load
Shear 420kN

Material
High Tensile Steel

Finish
Hot Dip Galvanized

Technical alterations reserved

Drawing No. STSA

