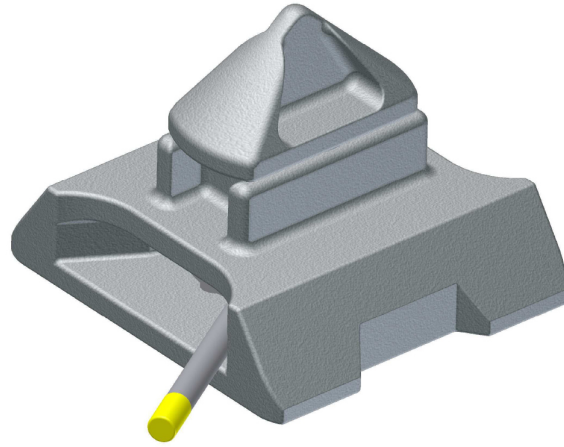




# BASE TWISTLOCK LONGITUDINAL



Model  
TLBL-131-LL

Weight  
8.0 kg

Breaking Load  
400kN

Material  
High Tensile Steel

Finish  
Hot Dip Galvanized

Technical alterations reserved

Drawing No. TLBL-131-LL

