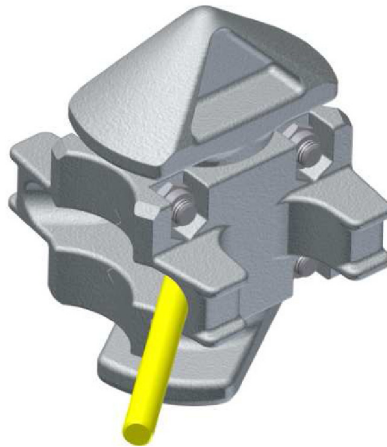




INTERMEDIATE TWISTLOCK



Model
TLIN

Weight
5.5 kg

Breaking Load
Shear 30T
Tensile 50T

Material
Ductile Iron, Forged Steel

Finish
Hot Dip Galvanized

Technical alterations reserved

Drawing No. L96LS9103

