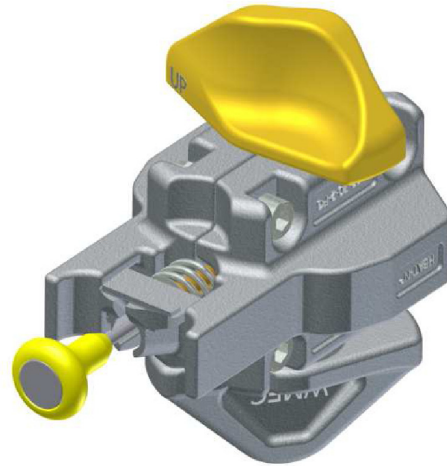




SEMI-AUTOMATIC TWISTLOCK



Model
TLSA

Weight
6.6 kg

Breaking Load
Shear 30T
Tensile 50T

Material
Cast Steel, Forged Steel

Finish
Hot Dip Galvanized

Technical alterations reserved

Drawing No. L99LS9923

