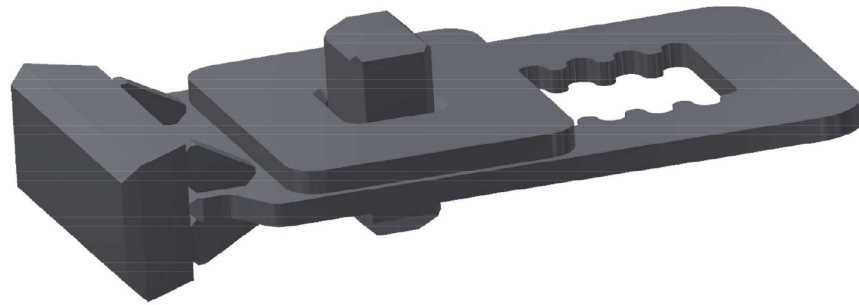




TENSION PRESSURE ELEMENT



Model
TPEA-28

Weight
18.8 kg

Breaking Load
800 kN

Material
High Tensile Steel

Finish
Quenched and Tempered

Technical alterations reserved

Drawing No. TPEA-28

