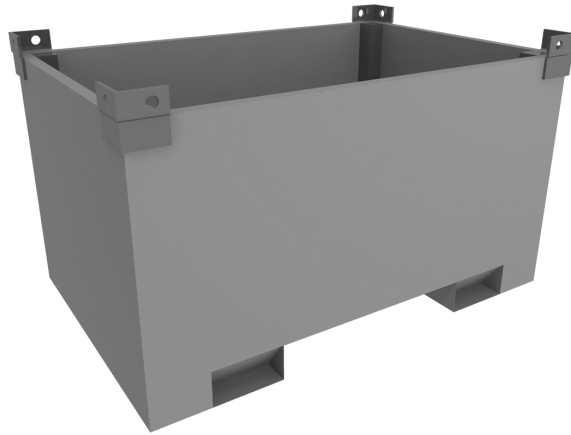




**BIN**



Model  
BIN

Weight  
2100 kg

Load Weight  
20T

Material  
Mild Steel

Finish  
Primer

Technical alterations reserved

Drawing No. BIN

