

CartLocks are specially designed to secure in-flight bar trolleys and ATM cassettes which can fit within recesses to protect it from accidental impact. CartLock 2 & 5 come with acetal locking inserts and are assembled through the heat staking process to enhance security against tampering.

APPLICATIONS

- In-flight bar trolleys
- ATM cassettes
- Security cabinets/containers
- Utility meters & valves

FEATURES

- Fits within the recess of an in-flight bar trolley
- Fitted with an Acetal locking mechanism (CartLock 2 & 5)
- Easily applied with one hand

BENEFITS

- Prevents seal damage during transit
- High level of security to prevent against tampering and losses
- Can be sealed with one hand to improve efficiency

SPECIFICATIONS

Type

CartLock 1 - Single Moulded, 28 x 14.5mm Tag Size (CT01AA)

CartLock 2 - Acetal Jaw, 28 x 15mm Attach Holes Tag (CT02AA)

CartLock 5 - Acetal Jaw with heat staking,
28 x 15mm Tag Size (CT05AA)

Material

Body - Polypropylene

Jaw - Acetal (CartLock 2 & 5)

Print

Laser print for logo/name & serial number

Colour

6 standard colours:

- Red, Yellow, Blue, Green, White, Orange
- Non-standard colours available upon request, subject to minimum order quantity and premium pricing

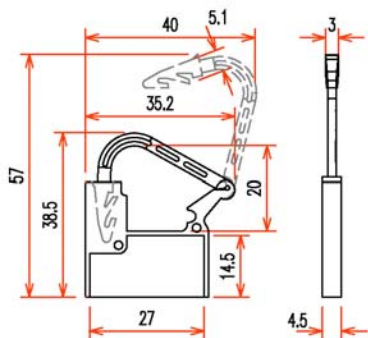
Packaging

1000pcs/inner carton

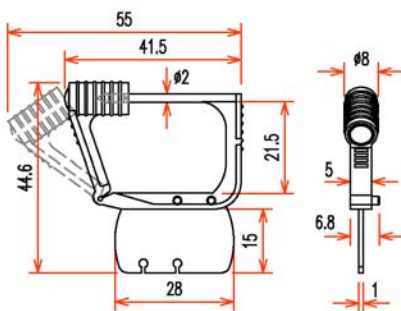
5000pcs/outer carton (CartLock 1 & 2)



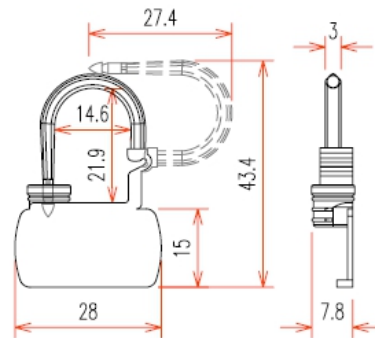
DIMENSIONS



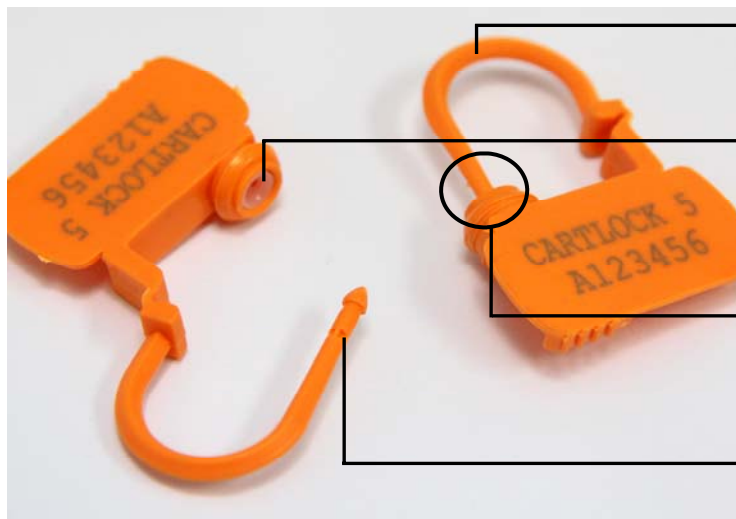
CartLock 1



CartLock 2



CartLock 5



Fits Within Narrow Recess

Prevents seal damage during transit

Acetal Locking Mechanism

High level of security to prevent tampering and losses (CartLock 2 & 5)

Convenient Application

Can be sealed with one hand to improve efficiency

Easy Removal

Can be removed without cutting tools

SPECIAL PURPOSE SEALS

ABRIC, your Global Supplier of Security Sealing Solutions.

For further information, please visit our website to locate your nearest contact:

www.abric.com

Sealing Assets Globally with quality and integrity