

ClickLock is moulded in strong polycarbonate plastic with two sets of locking arrows for enhanced locking security. This seal has been developed primarily for meter sealing, but it can also be used effectively for a wide range of applications.

APPLICATIONS

- Various type of utility meters
- Telecommunication
- Taxi meters
- Petroleum (LPG)

FEATURES

- Moulded in polycarbonate with two sets of locking arrows
- Polycarbonate material in transparent colours
- Easily sealed
- Longer cable / wire length available

BENEFITS

- Strong body casing with enhanced locking engagement
- Sealing mechanism can be viewed and inspected
- No pliers required to engage this seal, thus reducing cost
- Suitable for applications requiring longer wire loops

SPECIFICATIONS

Material

Polycarbonate

Print

Laser Print Name/logo and serial number

Colour

6 standard colours:

- Red, Yellow, Blue, Green, White, Orange
- Other colours can be supplied on request

Temperature

-20°C to 110°C (-4°F to 230°F)

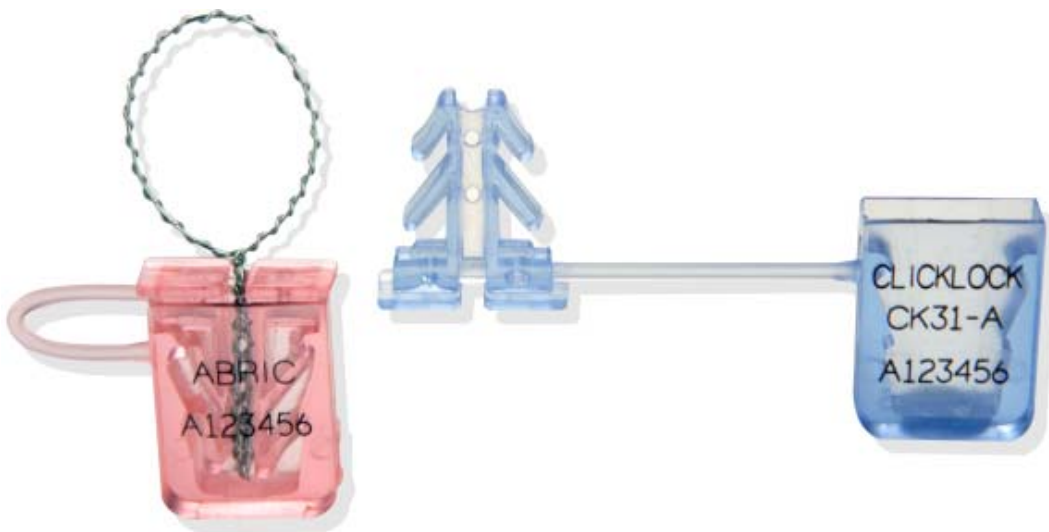
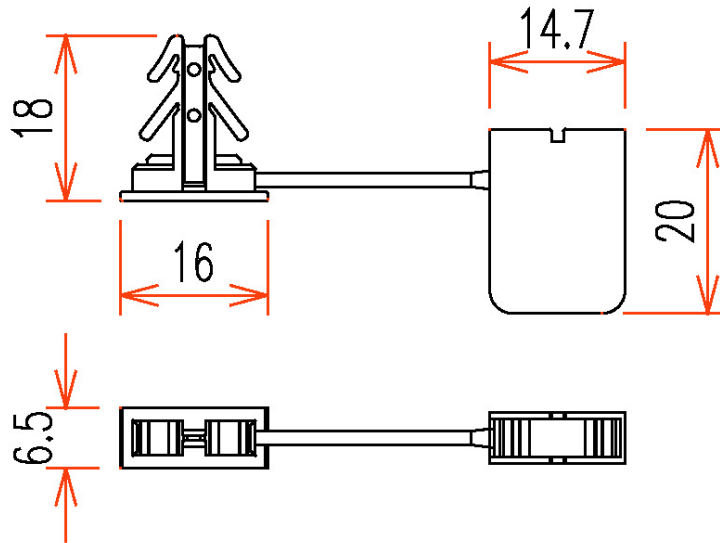
Packaging

ClickLock (with wire) - 2500pcs/carton

ClickLock (without wire) - 4000pcs/carton



DIMENSIONS



ABRIC, your Global Supplier of Security Sealing Solutions.
For further information, please visit our website for nearest contact:

www.abric.com

Sealing Assets Globally with quality and integrity