

PadLock

PadLock provides a low cost, highly secure, single use alternative to conventional PadLocks. It has advanced metal locking mechanisms and it meets UK customs requirement.

APPLICATIONS

- Plastic distribution boxes
- Vehicle doors
- Bonded store doors

FEATURES

- This range of seal meets UK customs requirement
- Have advanced locking mechanism
- PadLock 1 is manufactured in high grade, clear or tinted SAN resin with a chromed steel hasp
- PadLock 2 is manufactured in high grade polypropylene

BENEFITS

- PadLock can be used to secure imported/exported goods
- Reduced losses through enhanced security
- Enables visual checks against tampering
- Suitable for more demanding applications

SPECIFICATIONS

Type

- **PadLock 1** (Product code: PL01AA)
- **PadLock 2** (Product code: PL02AA)

Strength

- PadLock 1 >30kg-f / 66.1lb-f
- PadLock 2 >13kg-f / 28.7lb-f

Material

PadLock 1 - SAN clear housing, chromed steel hasp
PadLock 2 - Polypropylene opaque housing, chromed steel hasp

Print

PadLock 1 - Laser printed logo/name & serial no., Inkjet printing on request

PadLock 2 - Hot stamped logo/name & serial no., Laser printing on request

Colour

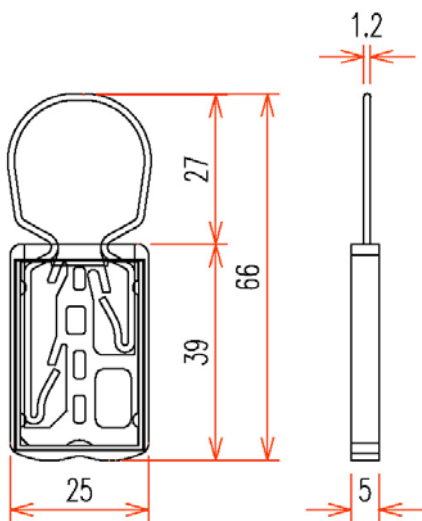
6 standard colours - Red, Yellow, Blue, Green, White, Orange
Other colours can be supplied on request

Packaging

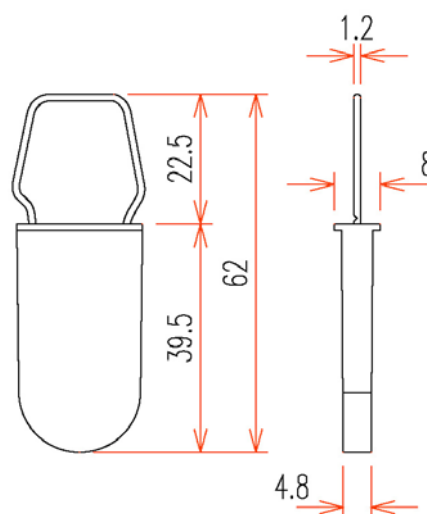
PadLock 1 inner carton 200 sets, PadLock 2 inner carton 100 sets, both outer carton 1000 sets



DIMENSIONS



PadLock 1



PadLock 2



ABRIC, your Global Supplier of Security Sealing Solutions.
For further information, please visit our website for nearest contact:

www.abric.com

Sealing Assets Globally with quality and integrity